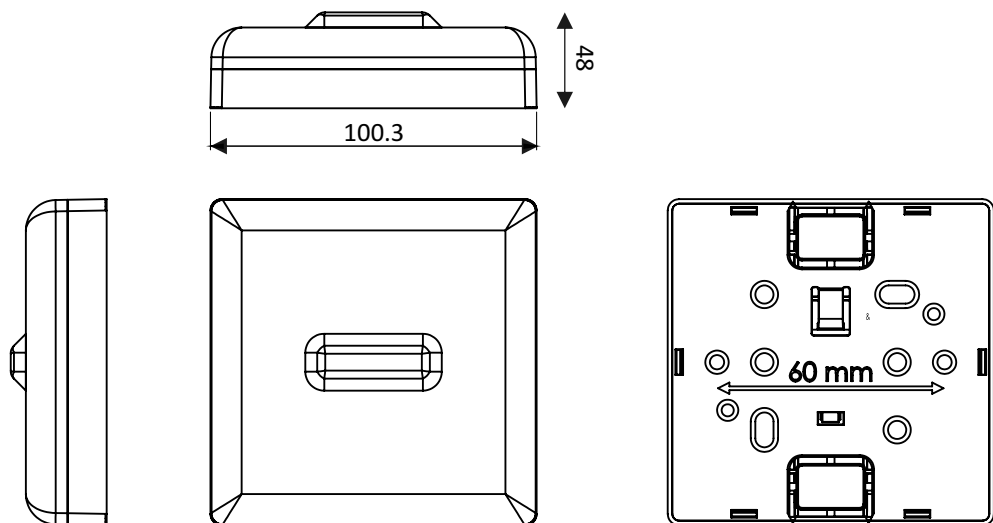


MECHANICAL SPECIFICATION

Enclosure Construction Material

White ABS
Flame Retardant rating 94V0
All dimensions in mm



TECHNICAL SPECIFICATIONS

SUPPLY VOLTAGE	Loop Powered - 20V to 30V DC
LOOP CURRENT - Remote Indicator	0.12 mA (Quiescent) - 2.5 mA (LED ON)
LOOP CURRENT - IO	0.625 mA (Quiescent) - 2.5 mA (LED ON)
MAX. CABLE SIZE	2.5 mm ²
MAX. HUMIDITY	95% RH Non-Condensing
OPERATING TEMPERATURE	-10°C to 50°C
DIMENSIONS	86 (L) x 86 (W) x 25 (H) mm
WEIGHT	60 g Boxed
ORDER CODE	DESCRIPTION
GFE-REM-IND-A	Addressable Remote Indicator

GFE-REM-IND-A

Addressable Remote Indicator

The GFE-REM-IND-A is designed to provide discreet remote indication and is controlled by the addressable control panel, whilst providing the ability to monitor multiple sensors within a zone thereby minimising wiring requirements. The GFE-REM-IND-A is compatible with any of GFE's analogue addressable panels.

The unit can be activated either by any of GFE's analogue addressable fire detectors sharing the same loop address or alternatively by the panel's cause and effect programming and in this particular mode of operation, multiple detectors can be used to activate the device.

The GFE-REM-IND-A is supplied complete with a back box, enabling the device to be surface mounted. It will also fit on to a standard single gang box.



FEATURES

Loop Powered

Includes two High Intensity RED LEDs

Monitors multiple remote sensors

Minimises cabling

Low Power Consumption

Fits on to a standard single gang back box

Aesthetically pleasing

GLOBAL FIRE EQUIPMENT S.A.

Sítio dos Barrabés, Armazém Nave Y, Caixa Postal 908-Z, 8150-016 São Brás de Alportel - PORTUGAL
Tel: +351 289 896 560 • Sales: sales@globalfire.pt • Technical Support: techs@globalfire.pt • www.globalfire.pt

Instruction Manual V1.0 - 12/2014

CE Made in Portugal-EU

OPERATION

Mode of operation is selected via D.I.L switch 8. When this switch is in the OFF position, the REMOTE INDICATOR mode is selected. In this mode, the unit should share the same address as one of GFE's analogue addressable fire detector, where both units are installed within the same loop and whenever the detector is in alarm, the associated remote indicator will be turned ON by the panel.

When D.I.L switch 8 is in the ON position, the IO mode is selected. In this particular mode, the unit takes one address from the loop and its device type will be I/O unit. It should be included within an I/O group and assigned to either a device or a zone. Whenever the associated device or ZONE is in FIRE condition, the GFE-REM-IND-A included within the assigned I/O group will be activated.

D.I.L. SWITCHES CONFIGURATION



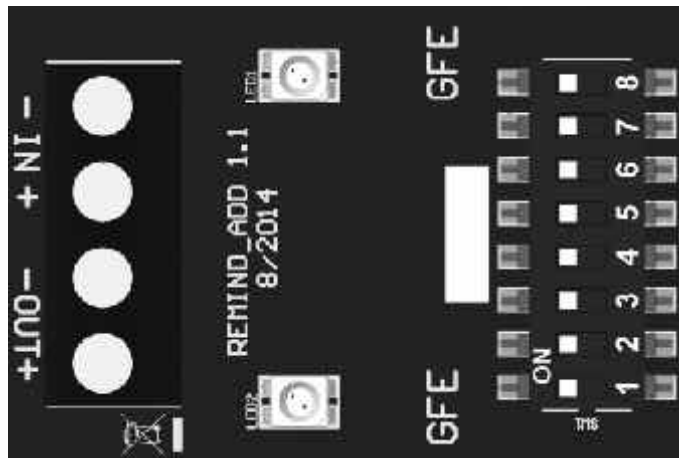
Switches 1-7
used to configure the module's address
Switch 8
OFF: Remote Indicator - ON I/O Unit

Address Switches binary weights

1 ON = 1 4 ON = 8 7 ON = 64
2 ON = 2 5 ON = 16
3 ON = 4 6 ON = 32

CONNECTIONS

LOOP CONNECTIONS



ADDRESS

ADDRESS SETTINGS

01	02	03	04	05	06	07	08
09	10	11	12	13	14	15	16
17	18	19	20	21	22	23	24
25	26	27	28	29	30	31	32
33	34	35	36	37	38	39	40
41	42	43	44	45	46	47	48
49	50	51	52	53	54	55	56
57	58	59	60	61	62	63	64
65	66	67	68	69	70	71	72
73	74	75	76	77	78	79	80
81	82	83	84	85	86	87	88
89	90	91	92	93	94	95	96
97	98	99	100	101	102	103	104
105	106	107	108	109	110	111	112
113	114	115	116	117	118	119	120
121	122	123	124	125			